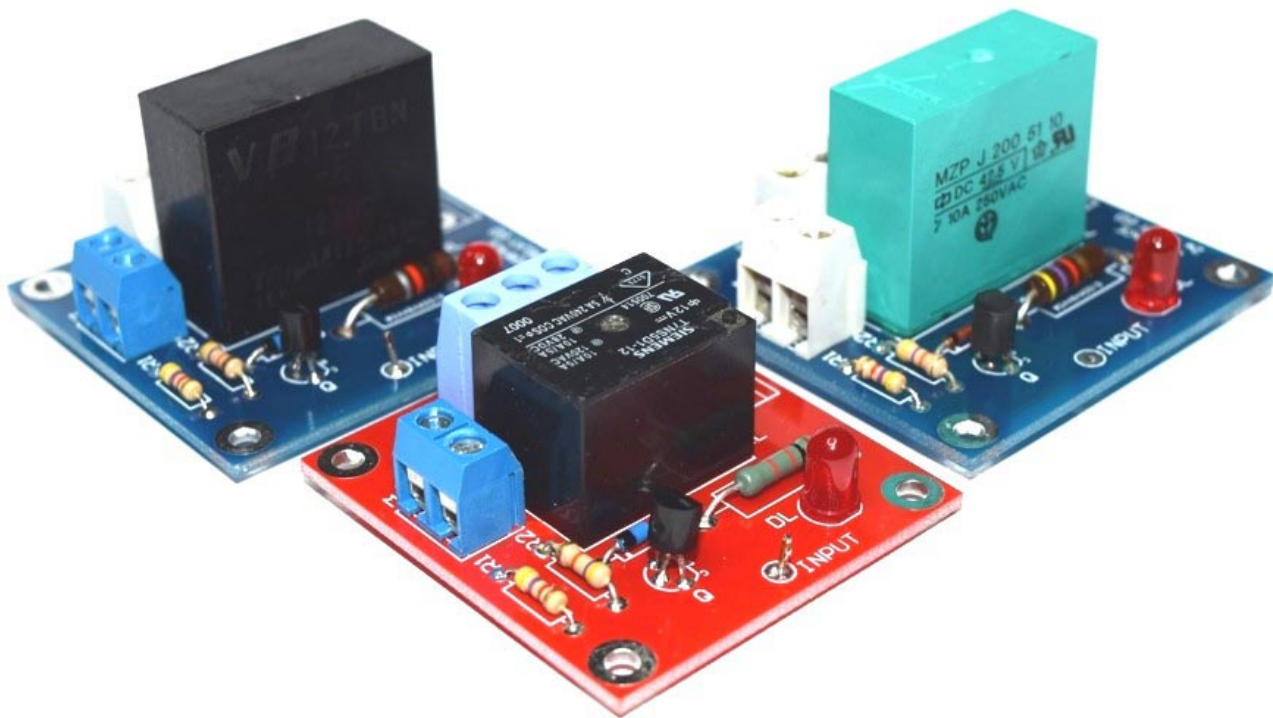


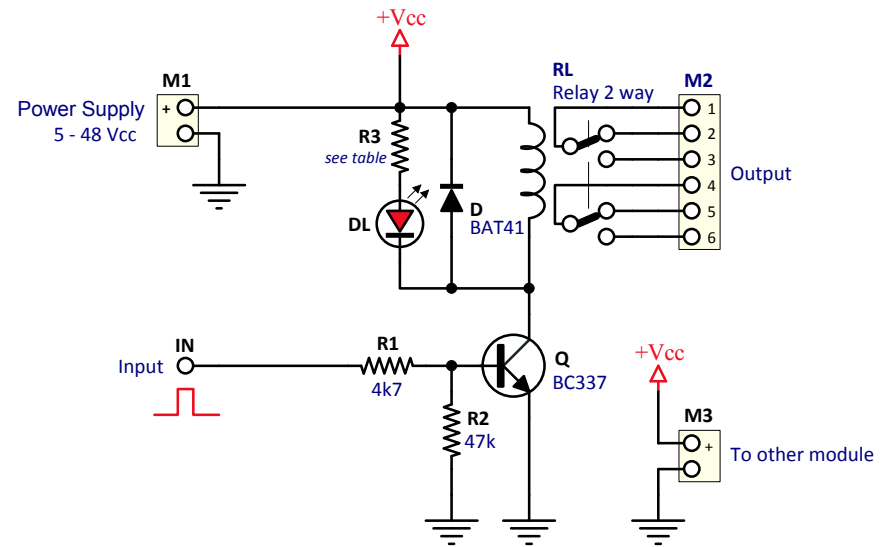
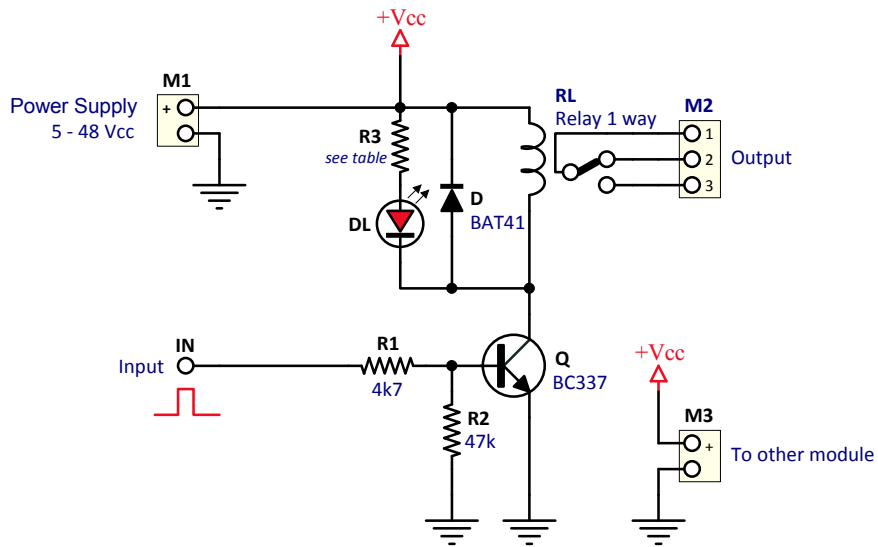


SERVICE MANUAL MANUALE TECNICO

INTERFACCE a RELE'



RELAY INTERFACES INTERFACCE A RELE'



| VCC | R3 |
|-----|-----------|
| 5 | 330 |
| 12 | 1k - ¼ W |
| 24 | 2k2 - ½ W |
| 48 | 4k7 - 1 W |

Author: **Valter Narcisi - San Benedetto del Tronto (AP)**

Project: **1 or 2 Way Relay modules (Transistor)**

Year: 2017

Size: -

DWG no. 1

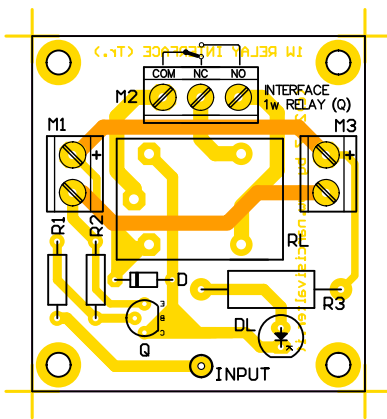
Rev.: 1

Scale: 1:1

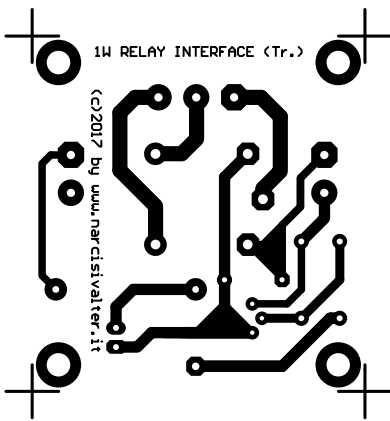
Sheet: 1 of 1

Note:

www.narcisivalter.it/progetti/relay-interface.html



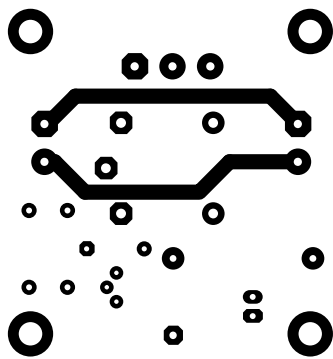
T:Top Overlay (44x47mm) 10



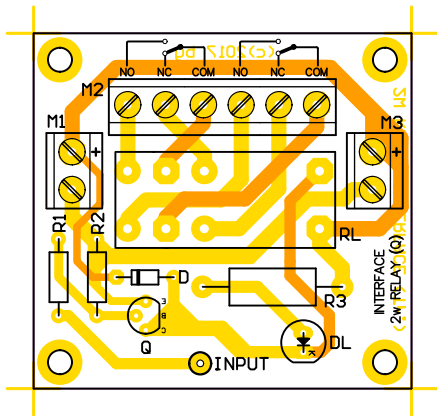
1W RELAY INTERFACE (Tr.)

(c) 2017 by www.narcisvalter.it

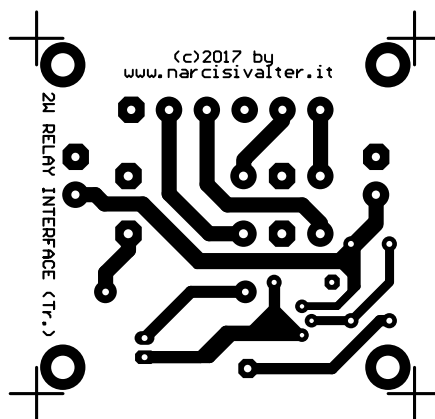
Bottom Master (44 x 47 mm)



Top Master (44 x 47 mm)



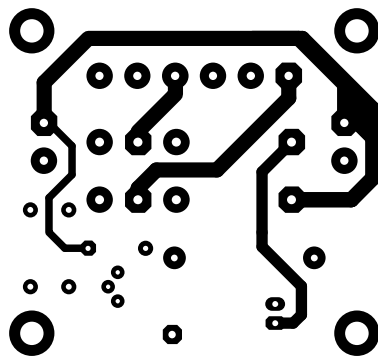
T6Top Overlay (50x47mm)B



(c)2017 by
www.narcisivalter.it

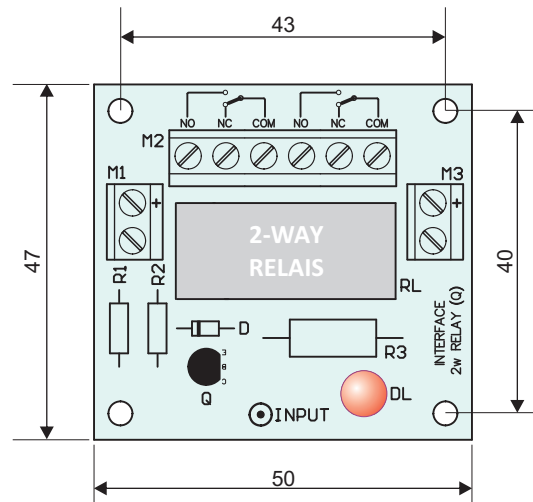
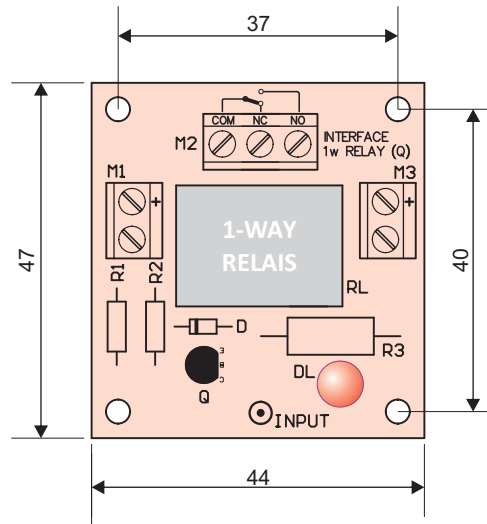
2M RELAY INTERFACE (T.P.)

Bottom Master (50 x 47 mm)

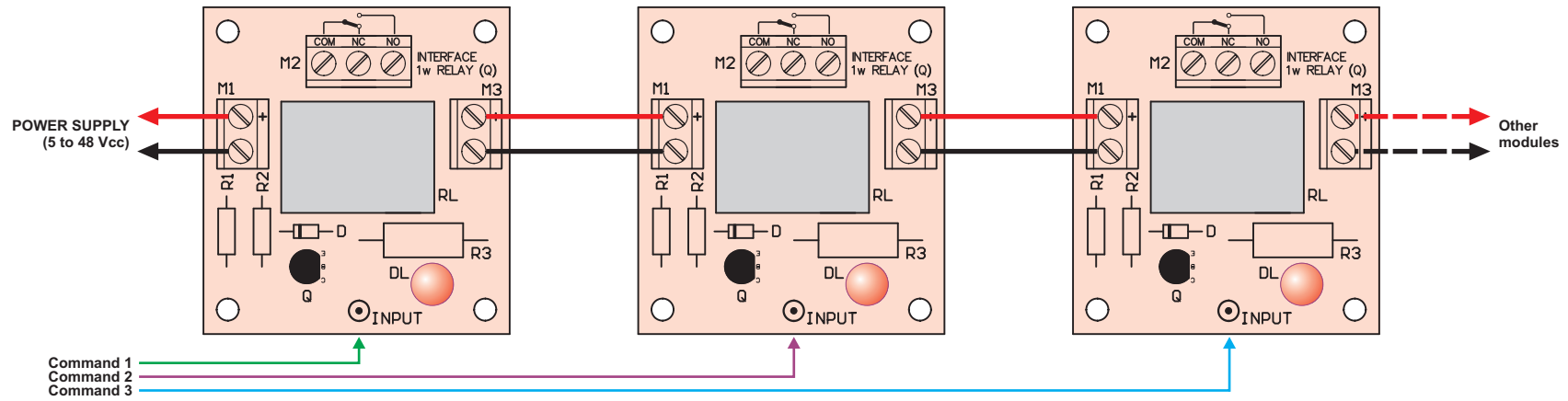


Top Master (50 x 47 mm)

PCB Dimensions



1-Way Relais



2-Way Relais

