

MM54HC4060/MM74HC4060 14 Stage Binary Counter

General Description

The MM54HC4060/MM74HC4060 is a high speed binary ripple carry counter. These counters are implemented utilizing advanced silicon-gate CMOS technology to achieve speed performance similar to LS-TTL logic while retaining the low power and high noise immunity of CMOS.

The 'HC4060 is a 14-stage counter, which device increments on the falling edge (negative transition) of the input clock, and all their outputs are reset to a low level by applying a logical high on their reset input. The 'HC4060 also has two additional inputs to enable easy connection of either an RC or crystal oscillator.

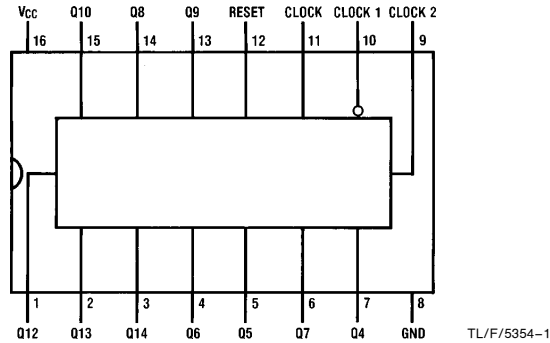
This device is pin equivalent to the CD4060. All inputs are protected from damage due to static discharge by protection diodes to V_{CC} and ground.

Features

- Typical propagation delay: 16 ns
- Wide operating voltage range: 2–6V
- Low input current: 1 μ A maximum
- Low quiescent current: 80 μ A maximum (74 Series)
- Output drive capability: 10 LS-TTL loads

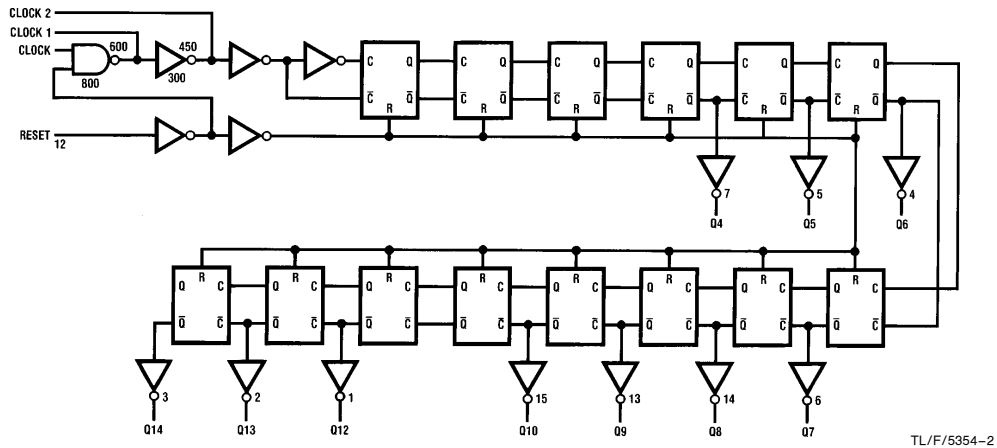
Connection and Logic Diagrams

Dual-In-Line Package



Top View

Order Number MM54HC4060 or MM74HC4060



MM54HC4060/MM74HC4060 14 Stage Binary Counter

Absolute Maximum Ratings (Notes 1 & 2)

If Military/Aerospace specified devices are required, please contact the National Semiconductor Sales Office/Distributors for availability and specifications.

Supply Voltage (V_{CC})	-0.5 to +7.0V
DC Input Voltage (V_{IN})	-1.5 to $V_{CC} + 1.5V$
DC Output Voltage (V_{OUT})	-0.5 to $V_{CC} + 0.5V$
Clamp Diode Current (I_{CD})	± 20 mA
DC Output Current, per pin (I_{OUT})	± 25 mA
DC Vcc or GND Current, per pin (I_{CC})	± 50 mA
Storage Temperature Range (T_{STG})	-65°C to +150°C
Power Dissipation (P_D)	
(Note 3)	600 mW
S.O. Package only	500 mW
Lead Temperature (T_L)	
(Soldering 10 seconds)	260°C

Operating Conditions

	Min	Max	Units
Supply Voltage (V_{CC})	2	6	V
DC Input or Output Voltage (V_{IN}, V_{OUT})	0	V_{CC}	V
Operating Temp. Range (T_A)			
MM74HCT	-40	+85	°C
MM54HCT	-55	+125	°C
Input Rise or Fall Times (t_r, t_f)			
$V_{CC} = 2.0V$		1000	ns
$V_{CC} = 4.5V$		500	ns
$V_{CC} = 6.0V$		400	ns

DC Electrical Characteristics (Note 4)

Symbol	Parameter	Conditions	V_{CC}	$T_A = 25^\circ C$			Units		
				Guaranteed Limits					
				$T_A = -40$ to $85^\circ C$	$T_A = -55$ to $125^\circ C$				
V_{IH}	Minimum High Level Voltage (Not Applicable to Pins 9 & 10)		2.0V	1.5	1.5	1.5	V		
			4.5V	3.15	3.15	3.15	V		
			6.0V	4.2	4.2	4.2	V		
V_{IL}	Maximum Low Level Input Voltage ** (Not Applicable to Pins 9 & 10)		2.0V	0.5	0.5	0.5	V		
			4.5V	1.35	1.35	1.35	V		
			6.0V	1.8	1.8	1.8	V		
V_{OH}	Minimum High Level Output Voltage	$V_{IN} = V_{IH}$ or V_{IL} $ I_{OUT} \leq 20 \mu A$	2.0V	2.0	1.9	1.9	V		
			4.5V	4.5	4.4	4.4	V		
			6.0V	6.0	5.9	5.9	V		
		Except Pins 9 & 10	$V_{IN} = V_{IH}$ or V_{IL} $ I_{OUT} \leq 4.0$ mA $ I_{OUT} \leq 5.2$ mA	4.5V	4.2	3.98	3.84	3.7	V
				6.0V	5.7	5.48	5.34	5.2	V
				Pins 9 & 10			3.98	3.84	3.7
					5.48	5.34	5.2	V	
V_{OL}	Maximum Low Level Output Voltage	$V_{IN} = V_{IH}$ or V_{IL} $ I_{OUT} \leq 20 \mu A$	2.0V	0	0.1	0.1	0.1	V	
			4.5V	0	0.1	0.1	0.1	V	
			6.0V	0	0.1	0.1	0.1	V	
		Except Pins 9 & 10	$V_{IN} = V_{IH}$ or V_{IL} $ I_{OUT} \leq 4.0$ mA $ I_{OUT} \leq 5.2$ mA	4.5V	0.2	0.26	0.33	0.4	V
				6.0V	0.2	0.26	0.33	0.4	V
				Pins 9 & 10			0.26	0.33	0.4
					0.26	0.33	0.4	V	
I_{IN}	Maximum Input Current	$V_{IN} = V_{CC}$ or GND	6.0V		± 0.1	± 1.0	± 1.0	μA	
I_{CC}	Maximum Quiescent Supply Current	$V_{IN} = V_{CC}$ or GND $I_{OUT} = 0 \mu A$	6.0V		8.0	80	160	μA	

Note 1: Maximum Ratings are those values beyond which damage to the device may occur.

Note 2: Unless otherwise specified all voltages are referenced to ground.

Note 3: Power Dissipation temperature derating: plastic "N" package: -12 mW/°C from 65°C to 85°C ceramic "J" package: -12 mW/°C from 100°C to 125°C

Note 4: For a power supply of 5V $\pm 10\%$ the worst case output voltages (V_{OH} , and V_{OL}) occur for HC at 4.5V. Thus the 4.5V values should be used when designing with this supply. Worst case V_{IH} and V_{IL} occur at $V_{CC} = 5.5V$ and 4.5V respectively. (The V_{IH} value at 5.5V is 3.85V.) The worst case leakage current (I_{IN} , I_{CC} , and I_{OZ}) occur for CMOS at the higher voltage and so the 6.0V values should be used.

** V_{IL} limits are currently tested at 20% of V_{CC} . The above V_{IL} specification (30% of V_{CC}) will be implemented no later than Q1, CY'89.

AC Electrical Characteristics

$V_{CC}=5V$, $T_A=25^{\circ}C$, $C_L=15\text{ pF}$, $t_r=t_f=6\text{ ns}$

Symbol	Parameter	Conditions	Typ	Guaranteed Limit	Units
f_{MAX}	Maximum Clock Frequency			30	MHz
t_{PHL} , t_{PLH}	Maximum Propagation Delay to Q_4	(Note 5)	40	20	ns
t_{PHL} , t_{PLH}	Maximum Propagation Delay to any Q		16	40	ns
t_{REM}	Minimum Reset Removal Time		10	20	ns
t_W	Minimum Pulse Width		10	16	ns

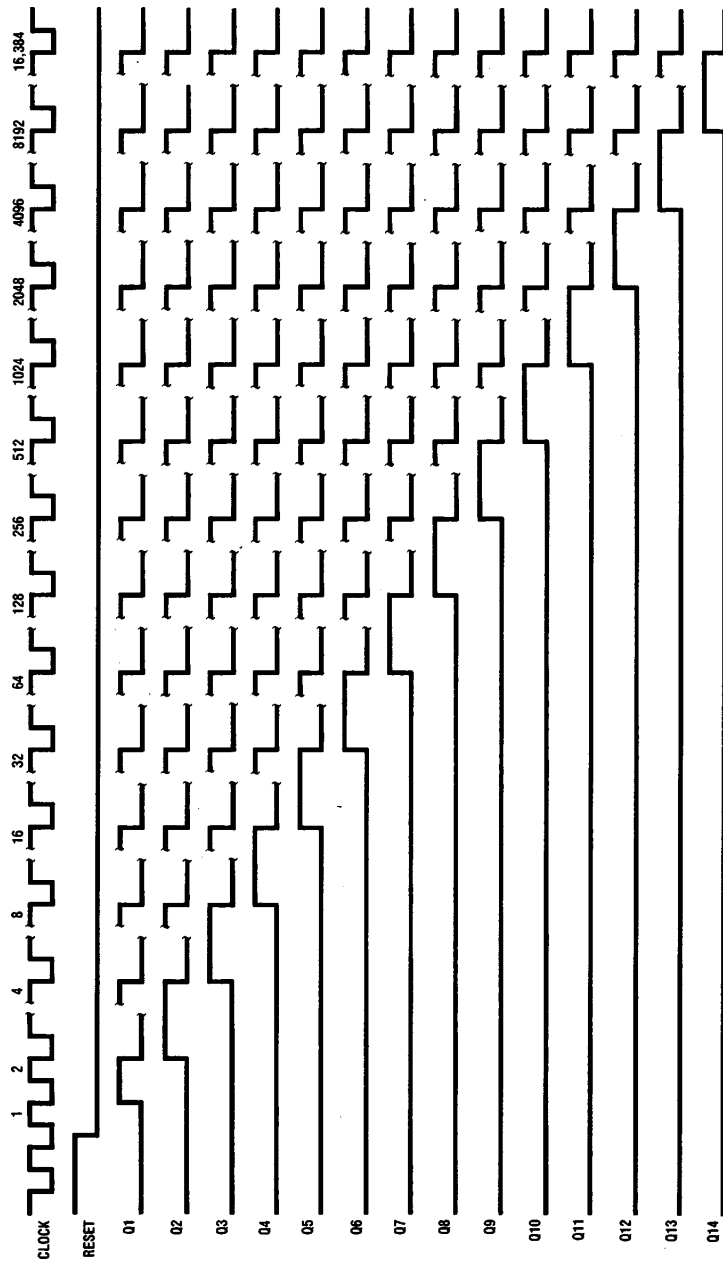
AC Electrical Characteristics $V_{CC}=2.0V$ to $6.0V$, $C_L=50\text{ pF}$, $t_r=t_f=6\text{ ns}$ (unless otherwise specified)

Symbol	Parameter	Conditions	V_{CC}	$T_A=25^{\circ}C$		T_A74HC	T_A54HC	Units
				Typ	Guaranteed Limits			
f_{MAX}	Maximum Operating Frequency		2.0V		6	5	4	MHz
			4.5V		30	24	20	MHz
			6.0V		35	28	24	MHz
t_{PHL} , t_{PLH}	Maximum Propagation Delay Clock to Q_4		2.0V	120	380	475	171	ns
			4.5V	42	76	95	114	ns
			6.0V	35	65	81	97	ns
t_{PHL}	Maximum Propagation Delay Reset to any Q		2.0V	72	240	302	358	ns
			4.5V	24	48	60	72	ns
			6.0V	20	41	51	61	ns
t_{PHL} , t_{PLH}	Maximum Propagation Delay Between Stages Q_n to Q_{n+1}		2.0V		125	156	188	ns
			4.5V		25	31	38	ns
			6.0V		21	26	31	ns
t_{REM}	Minimum Reset Removal Time		2.0V		100	125	150	ns
			4.5V		20	25	30	ns
			6.0V		17	21	25	ns
t_W	Minimum Pulse Width		2.0V		80	100	120	ns
			4.5V		16	20	24	ns
			6.0V		14	17	20	ns
t_r , t_f	Maximum Input Rise and Fall Time		2.0V		1000	1000	1000	ns
			4.5V		500	500	500	ns
			6.0V		400	400	400	ns
t_{THL} , t_{TLH}	Maximum Output Rise and Fall Time		2.0V	30	75	95	110	ns
			4.5V	10	15	19	22	ns
			6.0V	9	13	16	19	ns
C_{PD}	Power Dissipation Capacitance (Note 6)	(per package)		55				pF
C_{IN}	Maximum Input Capacitance			5	10	10	10	pF

Note 5: Typical Propagation delay time to any output can be calculated using: $t_p = 17 + 12(N-1)$ ns; where N is the number of the output, Q_W , at $V_{CC}=5V$.

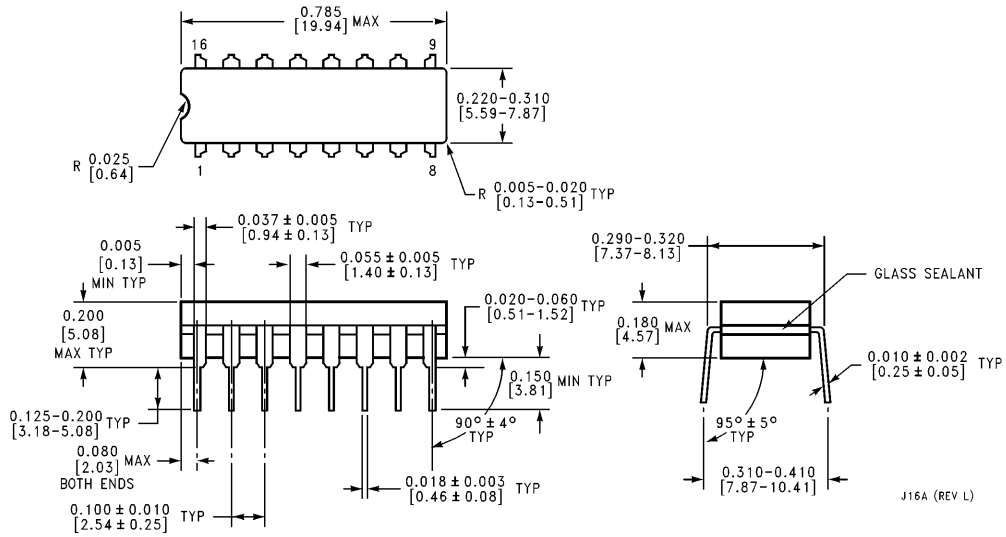
Note 6: C_{PD} determines the no load dynamic power consumption, $P_D = C_{PD} V_{CC}^2 f + I_{CC} V_{CC}$, and the no load dynamic current consumption, $I_S = C_{PD} V_{CC} f + I_{CC}$.

Timing Diagram



TLF/5854-3

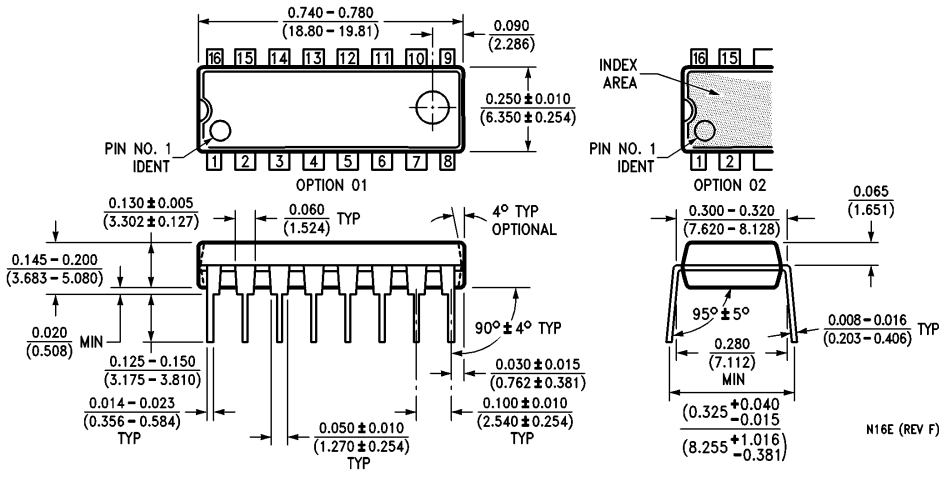
Physical Dimensions inches (millimeters)



Order Number MM54HC4060J
NS Package J16A

J16A (REV L)

Physical Dimensions inches (millimeters) (Continued)



Order Number MM74HC4060J, N
NS Package N16E

LIFE SUPPORT POLICY

NATIONAL'S PRODUCTS ARE NOT AUTHORIZED FOR USE AS CRITICAL COMPONENTS IN LIFE SUPPORT DEVICES OR SYSTEMS WITHOUT THE EXPRESS WRITTEN APPROVAL OF THE PRESIDENT OF NATIONAL SEMICONDUCTOR CORPORATION. As used herein:

1. Life support devices or systems are devices or systems which, (a) are intended for surgical implant into the body, or (b) support or sustain life, and whose failure to perform, when properly used in accordance with instructions for use provided in the labeling, can be reasonably expected to result in a significant injury to the user.
2. A critical component is any component of a life support device or system whose failure to perform can be reasonably expected to cause the failure of the life support device or system, or to affect its safety or effectiveness.



National Semiconductor Corporation
1111 West Bardin Road
Arlington, TX 76017
Tel: 1(800) 272-9959
Fax: 1(800) 737-7018

National Semiconductor Europe
Fax: (+49) 0-180-530 85 86
Email: cnjwge@tevm2.nsc.com
Deutsch Tel: (+49) 0-180-530 85 85
English Tel: (+49) 0-180-532 78 32
Français Tel: (+49) 0-180-532 93 58
Italiano Tel: (+49) 0-180-534 16 80

National Semiconductor Hong Kong Ltd.
19th Floor, Straight Block,
Ocean Centre, 5 Canton Rd.
Tsimshatsui, Kowloon
Hong Kong
Tel: (852) 2737-1600
Fax: (852) 2736-9960

National Semiconductor Japan Ltd.
Tel: 81-043-299-2309
Fax: 81-043-299-2408

National does not assume any responsibility for use of any circuitry described, no circuit patent licenses are implied and National reserves the right at any time without notice to change said circuitry and specifications.

This datasheet has been download from:

www.datasheetcatalog.com

Datasheets for electronics components.